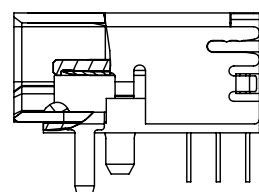
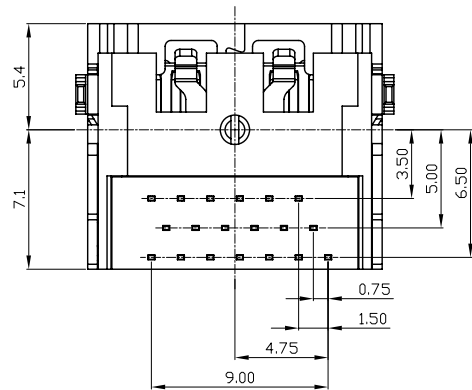
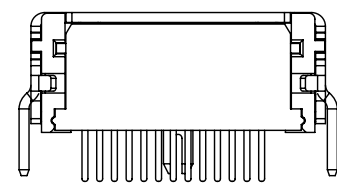
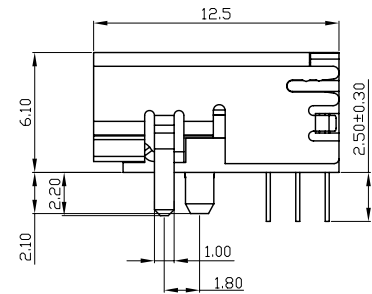
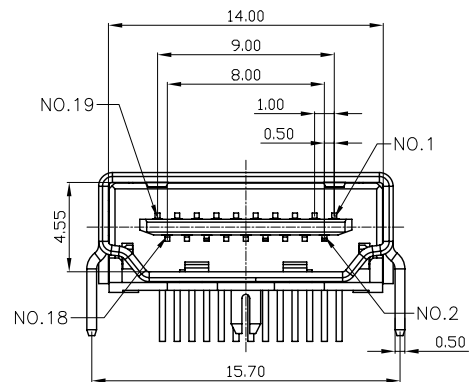


RECOMMENDED PCB LAYOUT (TOP VIEW)  
TOLERANCE FOR PCB LAYOUT IS  $\pm 0.05$



NOTE:

- 1.MATERIAL:
  - 1.1 Insulator:LCP+30%Glass Fiber(UL94V-0) BLACK
  - 1.2 Shell And Contact: Brass
  - 1.3 Contact Plating:1u"MIN. GOLD PLATING ON CONTACT AREA. 100u"MIN.TIN PLATING ON SOLDER TAILS. 50u"MIN.NICKEL UNDERPLATING OVERALL.
  - 1.4 Shell:80u"Nickel plated over all
- 2.SPECIFICATION:
  - 2.1 Current Rate:0.5Amp Min
  - 2.2 insulator Resistance:100M $\Omega$  Min
  - 2.3 Dielectric Strength: 500V AC Per minute
  - 2.4 Contact Resistance: 30m $\Omega$  Max
  - 2.5 Operation Temperature:-55°C~+85°C

TOLERANCE UNLESS OTHERWISE SPECIFIED
.XXX ±0.10
.XX ±0.20
.X ±0.30
.X' ±3'

产品名称	HDMI 19PIN母三排90度
PART NAME:	
料号	91-HD01-024
PART No:	

REV:	DESCRIPTION	REV BY	APPROVED	DATE	MATL	SEE SPECIFICATION	APPROVED
					PROJECTION:	THIRD ANGLE PROJECTION	CHECKED
					UNIT:	SCALE	DRAWN
						1:1mm	2012.05.25
						REV(NO)	
						SHEET	
						1 OF 1	
						DATE	

